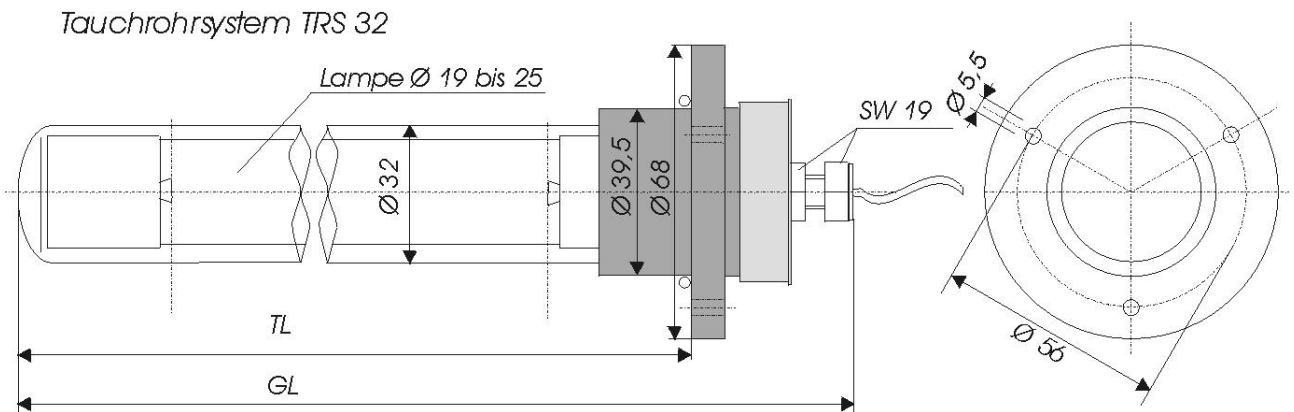


TRS 32 Submersible tube system

This system consists of a submersible tube with an external diameter of 32 mm and a wall thickness of 2 mm, a 1.4571 stainless steel holder for the submersible tube with a flange, a plastic* closure with a PG screw fitting and a stop ring plus two ring seals. It is suitable for all 19-25 mm diameter lamps and a base diameter of maximal 27 mm. Thus it is ideal UV-Technik's high-performance amalgam lamps. The tube system is intended for use in both water and gas/air and is pressure resistant up to 10 bar. UV-Technik can supply the appropriate ballasts if requested – ready-installed in a control cabinet where this is required.



The system is available in the following standard lengths:

Type:	Submersible tube system to fit lamp type	Length of tube, TL	Length of tube system, GL
TRS 32/870-140	UVI 140 4C P 19/ 840	870 mm	925 mm
TRS 32/1030-160	UVI 160 4C P 19/1000	1030 mm	1085 mm
TRS 32/1150-200	UVI 200 4C P 19/1120	1150 mm	1205 mm
TRS 32/1340-240	UVI 240 4C P 19/1310	1340 mm	1395 mm
TRS 32/1580-260	UVI 260 4C P 19/1550	1580 mm	1635 mm
TRS 32/2030-300	UVI 300 4C P 19/2000	2030 mm	2085 mm

If requested, new length of tube, different lamps or flanges are all possible.

* Closure can also be supplied in stainless steel as an option.