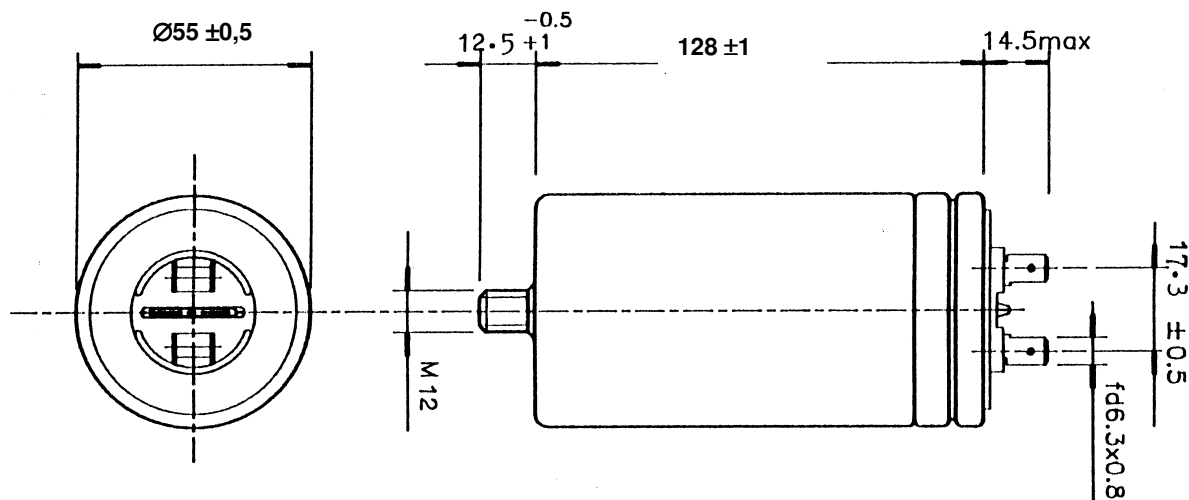


## Capacitor - 1,66 kVAr – 400 V



Self-healing, MKP-capacitor, filled with biodegradable, environment-amicable, not PCB-containing, not-leading medium with overpressure interruption safety.

### Technical data:

Art. No.	4021
Nominal-performance	1,66 kVAr
Nominal-voltage(effective)	400 V
Nominal-frequency	50 Hz
Nominal-current	4,1 A
max. operating voltage AC	440 V
max. operating voltage DC	880 V
max. operating current AC	5,33 A
max. maximum current	1000 A
Series resistance	11,2 m $\Omega$
Self-inductor	120 nH
dV / dt	30 V/ $\mu$ s
Operating temperature range	- 25 bis + 60° C
Bearing temperature range	- 55 bis + 85° C
Life expectancy	ca. 100.000 h
Dimension	see drawing
Mounting	with M12 pin and mother
Case material	aluminium
Weight	ca. 400 g
Connections	4 x 6,3 x 0,8 mm
Leakage distance	16,5 mm
Clearance	14,0 mm