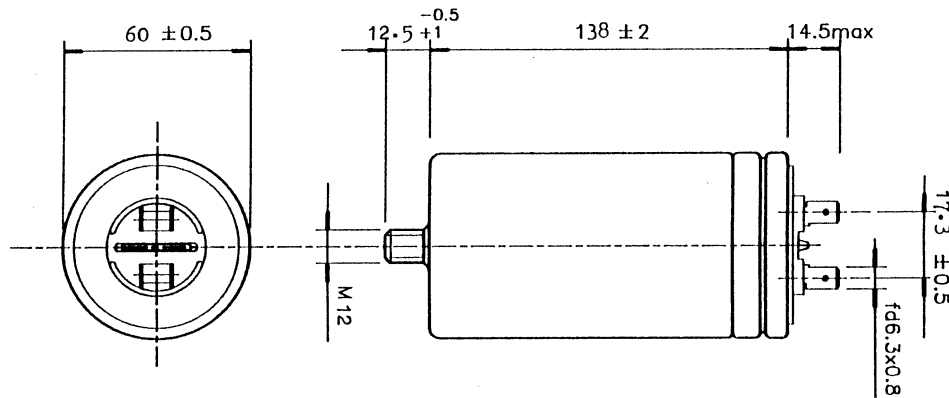


## Power-factor capacitor 3,33 kVAr – 400 V



Self-healing, MKP-capacitor, filled with biodegradable, environment-amicable, not PCB-containing, not-leading medium with overpressure interruption safety.

### Technical data

Art. No.	4010
Nominal-performance	3,33 kVAr
Nominal-voltage(effective)	400 V
Nominal-frequency	50 Hz
Nominal-current	8,3 A
Capacity	66 $\mu$ F -5%/+10%
Max. operating voltage AC	440 V
Max. operating voltage DC	800 V
Max. operating current AC	10,7 A
Max. maximum current	2000 A
Series resistance	8,02 m $\Omega$
Self inductance	120 nH
dV / dt	30 V/ $\mu$ s
Operation temperature range	- 25 bis + 60° C
Storage temperature range	- 55 bis + 85° C
Life time (in operation and at max. 60°C)	ca. 100.000 h
Dimensions	see drawing
Mounting	with M12 pin and mother
Case material	aluminium
Weight	ca. 400 g
Connections	4 x 6,3 x 0,8 mm
Leakage distance	19,0 mm
Clearance	15,5 mm