



Inkjet

UVAPRINT 100 SOV

Compact UV Dryer

System-Features

- Pneumatic shutter for cycled operation
- Integrated air cooling
- Temperature-controlled ventilators
- Honle lamps with standard and special spectrum
- Arc lengths 85 mm and 100 mm

Advantages

- High UV intensity
- Compact UV lamp housing
- Low output when on standby
- Low weight (approx. 3kg)
- Easy to operate, low maintenance

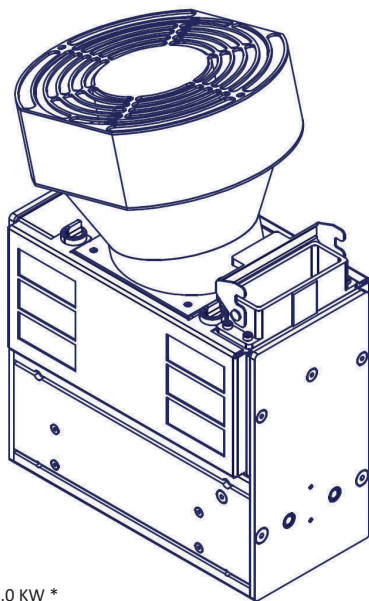
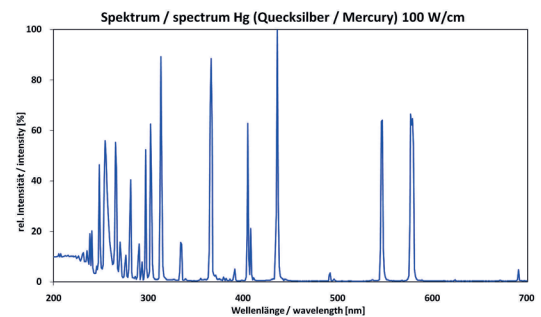
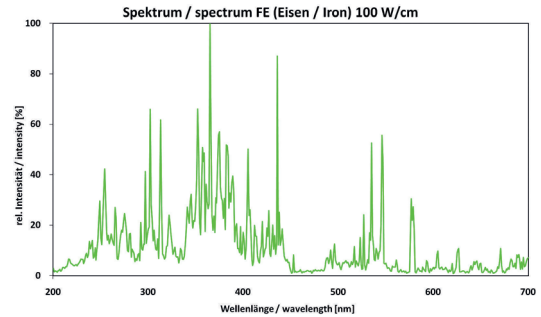
UVAPRINT 100 SOV – Compact UV Dryer

The new **UVAPRINT 100 SOV** has been specially developed for **small format inkjet printers**. The high performance of the UV lamp head makes it possible to achieve curing of outstanding quality, even at high printing speeds. The particularly compact design, as well as its minimal weight, makes it ideal for inkjet printing applications.

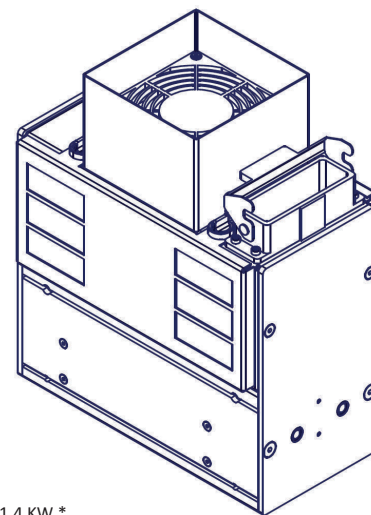
For inkjet printing (as with other printing processes), Hönle offers customized UV technology to meet the most demanding requirements.

Dichroic reflectors are amongst the products on offer, as are lamp spectrums that are adaptable to the printing ink.

The UV unit has an integrated shutter system and is operated by an electronic power supply.



UVAPRINT 100 SOV 2,0 KW *



UVAPRINT 100 SOV 1,4 KW *

* dimensions (L x B x H without fan and plugs): 215 x 119 x 186,50 mm