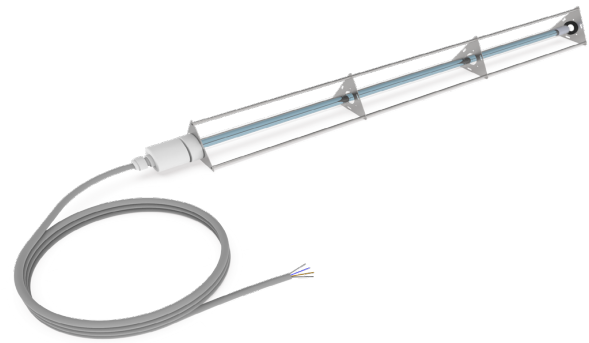
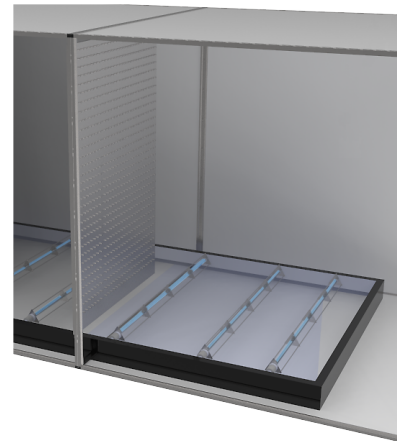


UV-STYLO-E

Installed inside the humidifier collection tanks (Cooling System) Air Handling Units (A.H.U.) UV-STYLO-E sanitizes the water recirculation system. UV-C treatment in water inhibits the proliferation of viruses, bacteria, moulds, spores, very harmful to health, which commonly proliferate inside Air Conditioning Systems. UV-STYLO-E has been designed to sanitize water directly within basins, sinks, washing systems (IP67).



Most of the time inside the tank containing the percolating water, which is used to be sprayed in the evaporative panels, there, are sedimentation of mold and algae, and the interior surfaces are covered with an unpleasant biofilm. The most risky case is that there could be also deadly pathogens such as Legionella Pneumophila, for which there are several hundred deaths cases per year. This happens because the water sprayed inside AC system spreads airborne diseases inside buildings, through infectious particles breathable in air.



UV-STYLO-E avoid also so called “Sick Building Syndrome”, “Monday Fever”, Asthma and Allergies, it allows the control of Hygiene high standards in Food industry and fights against Healthcare Associated Infections (HAI) in hospitals. UV-STYLO-E application is important for not only IAQ and health, but a cleaner AC system is also more efficient from an economic point of view, with less operative and maintenance costs. As a matter of fact, using UVGI the need of filters replacement and clean of inner surfaces is less necessary than usual.

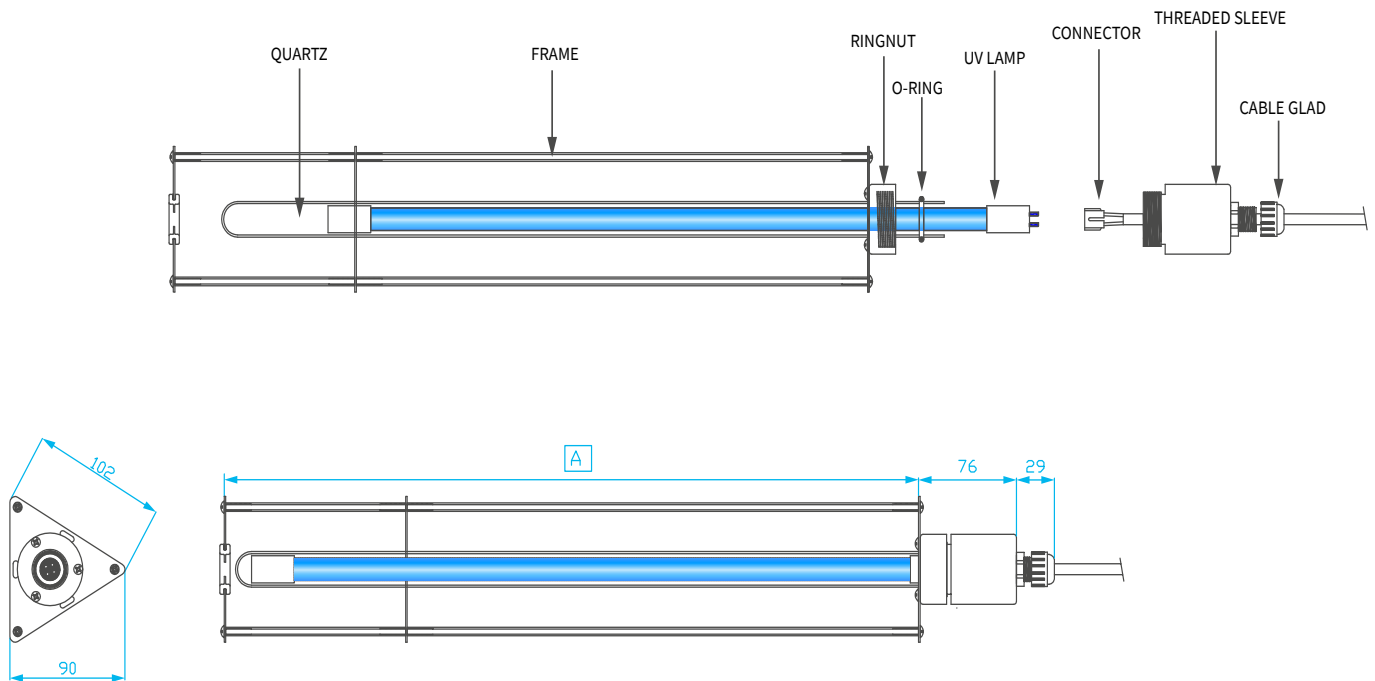
With UV-STYLO-E you obtain a deep and continuous disinfection and cleaning of your AC system, without the use of expensive and polluting chemicals, , in few words with UV-STYLO-E you have better comfort for people in the building, saving money.

Technical data

UV-STYLO-E	11	16	40H	60H	90H	120H
LAMP LIFETIME UP TO (hours)*	≤ 18.000	≤ 18.000	≤ 18.000	≤ 18.000	≤ 18.000	≤ 18.000
CONSUMPTION (W)	11	16	40	60	90	120
“A” DIMENSIONS (mm)	234	300	442	583	900	1175
WEIGHT (kg)	0.35	0.50	0.70	0.80	1.10	1.40
PROTECTION RATING	IP 67					
REPLACEMENT LAMP	GH2-11W	GH3-16W	GH4-40WH	GH6-60WH	GH9-90WH	GH11-120W

* continuous operation

TECHNICAL DRAWINGS



Installation instructions

Fix UV-STYLO-E modules inside water collection tanks in HVAC humidifier system. We suggest to mount one or more devices one next to the other in parallel; modules should be connected to the power supply control board, following the electrical schema provided on the manual. Devices have to be applied according to the water UVT (UV transmittance) considering a UV dose of 1 watt of rated power (0.33 W UV-C) for every 1.5 dm³ water; our technical department is at your disposal to design the proper layout of UV-STYLO-E positioning inside your specific system.

UV-STYLO-E series could be powered by 3 different solutions:

1. Integrated Solution UV-STYLO-E nn-...EB : ballast "open frame"
2. Integrated Solution UV-STYLO-E nn-...Ba : power supply + alarm signal + hourcounter (drives 1 or 2 UV-STYLO)
3. Solution with control board MASTER-STY: Drives 2 or more UV-STYLO see dedicated manual.