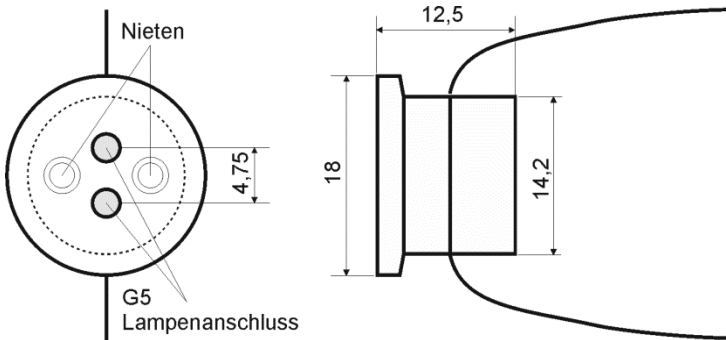


Lamp socket 2 Pin G5 Teflon with stranded wire

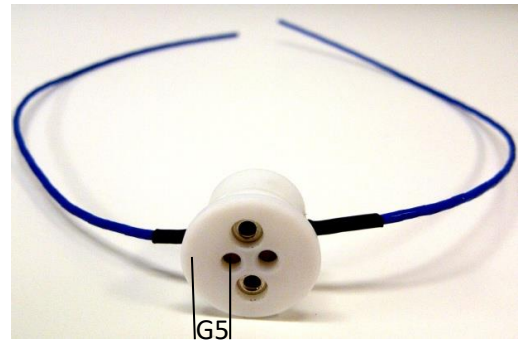
Technical data

article number	471 00400 0000
material	Teflon (PTFE) socket and cable insulation, brass contact material
size (Ø x L)	18 x 12,5 mm
cables	0.5 mm ² nickel stranded wire, length approx. 200 mm, insulation PTFE Ø1.5 mm
temperature	up to approx. 135°C (restriction of max. temperature by heat shrink tubing on cable)
rated operating voltage	600 V, ignition voltage up to 1000 V
current	3 A max.
application	for lamps with G5 base (pin Ø2.3 mm, max. pin length 8mm)
standards and approvals	no

Drawing



Picture



Application

This clip-on socket can be used for most applications of low-pressure lamps.

It is designed for connection of lamps with standard G5 socket.

Operate only in a dry, dust-free and non-corrosive environment.

We accept no liability for non-intended use.

Notes on cable selection and routing

When selecting a cable, please observe the instructions of the suppliers of the ballasts and the lamps. Special regulations regarding cable length, cross-section, shielding, etc. can be specified here, which must be strictly observed for a proper function.

Generally valid:

- minimize cable length
- select low-capacitance cable
- cable cross-section 0.75 mm² up to 1 mm² (AWG 17-19)
- do not bundle the lamp cable of several lamps
- do not install the lamp cable in parallel with mains or control cables
- no or as few clamping points as possible

If you need prefabricated cables, please contact us.