

Sensor port FUV 33 TC40 and FUV 33 TC50

(with TC sterile flange)

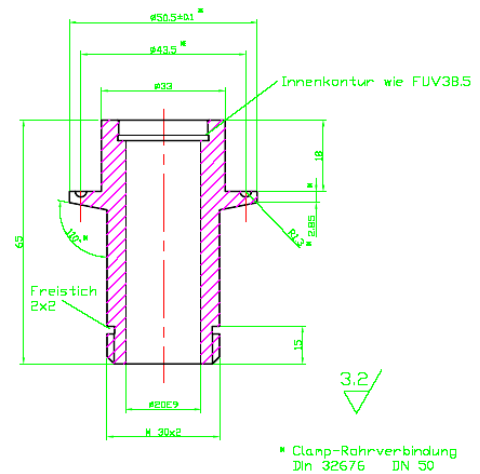
These sensor port are designated primarily for applications in the food and pharmaceutical industry as well as for applications for treating ultra pure water. The measurement windows FUV 33 TC40 and FUV 33 TC50 (TC 40 respectively TC 50 sterile flange according DIN 32 676) are designed for attaching with articulation clamps. The front diameter for installation is 33 mm and the distance from the entrance window to the flange is 18 mm for both types. The suitable cap nut M 30 x 2 for fixing the sensor type SUV20 in the sensor port is included in the delivery.

The main features are:

- waterproof up to 16 bar overpressure and for short time 1 bar under pressure
- operating temperature 0 to 60°C, 100°C for brief periods, storage temperature -40 to 70°C
- corpus made of stainless steel 1.4404 with TC 40 respectively TC 50 flange according DIN 32 676
- fixing with articulation clamps with an inner profile according ISO 2852
- inner dimensions $\varnothing 20 \times 60$ mm, designated for standard sensors, total length 65 mm
- UV window: synthetic quartz SQ 1 $\varnothing 23$ mm, transmission $\geq 90\%$ above 250 nm
- inclusive cap nut M 30 x 2 for the combination with SUV 20 sensor types



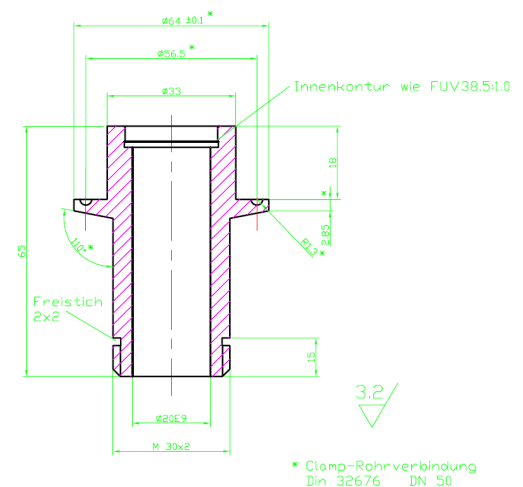
FUV 33 TC40



geometry FUV 33 TC40



FUV 33 TC50



geometry FUV 33 TC50